

# User Manual BMT01 (EN)



BBQ Meat Thermometer

User Manual V1.0

## Introduction

SONOFF BBQ Meat Thermometer is a smart barbecue thermometer. Insert the heat-resistant probe into the center of the food, and monitor the real-time temperature on the device screen or the eWeLink app. It will alert you when the Preset Temp. is reached, helping you effortlessly grill delicious barbecue.



Temperature  
Detection



App Monitoring



Temp. Alert



Timer Reminder



Real-Time Temp.  
Chart



Reading Switch

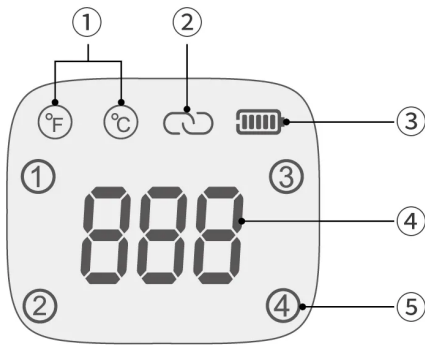


Backlit Display



Quick Refresh

## Screen Display Instructions



### ① Temperature unit

### ② Connection icon

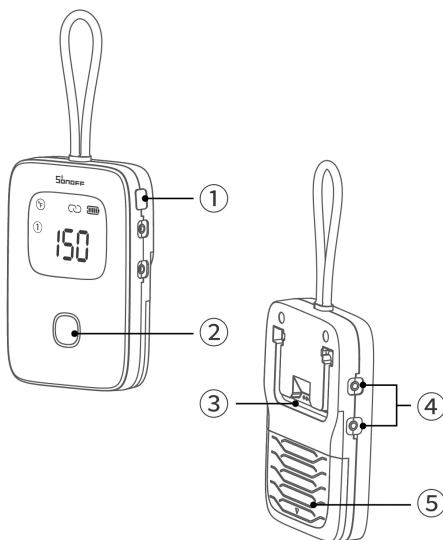
- Flashing: The device is in pairing mode.
- Keeps on: Connected to App
- Keeps off: Not connected to App

### ③ Battery level

### ④ Probe temperature

### ⑤ Temperature corresponding probe

## Device Instructions



### ① Power button

- Press and hold for 5 seconds to power on. In the powered-on state, press and hold for 5 seconds to power off.

### ② Function button

- Long touch for 5 seconds: Device enters the pairing mode. (Pairing time 180s)
- Short touch: Turn on backlit mode./Switch to next probe temperature.

### ③ Device bracket

### ④ Probe interface

### ⑤ Battery protection cover

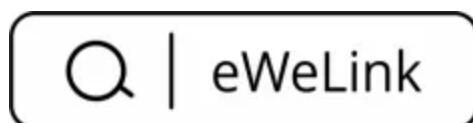
# Specification

Model	BMT01
MCU	EP2T42F40
Input	3V=0.1A (2*1.5V Batteries)
Battery model	AAA (1.5V)
Net weight	100g (Not including batteries and other accessories.)
Product dimension	104.6x71.4x19.2mm
Color	Black
Casing material	PC
Applicable place	Indoor
Working temperature (BBQ meat thermometer)	-10°C~55°C/14~131°F
Working temperature (BBQ meat thermometer probe sensor)	0~300°C/32~572°F
Working humidity	5~95%RH, non-condensing
Working height	Less than 2000m
Certification	CE/FCC/ISED/RoHS
Executive standard	IEC 60335-1:2020

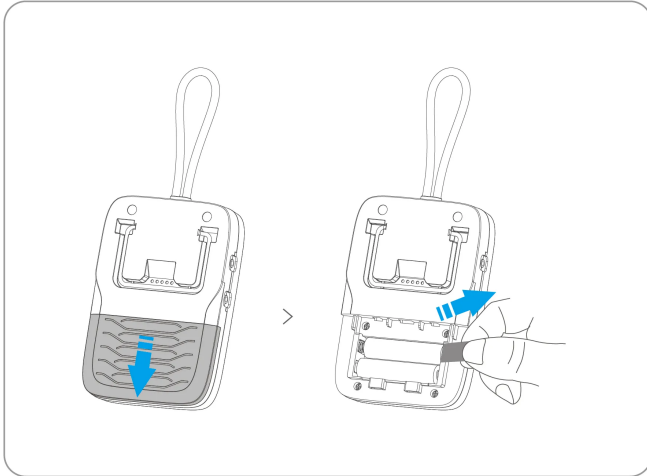
\*This product is only suitable for safe use at altitudes below 2000m.

## Download the eWeLink App

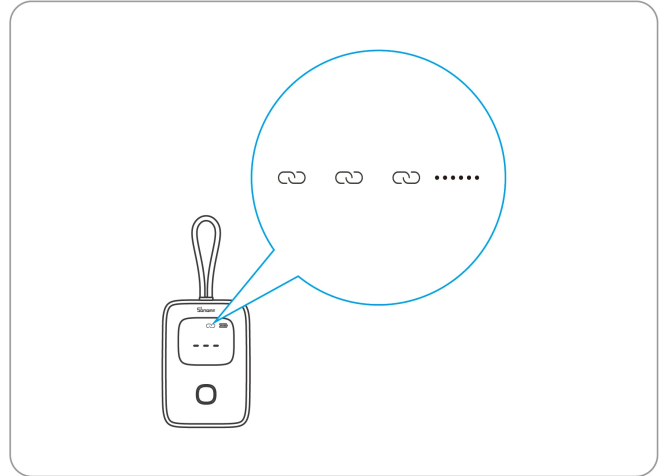
Please download the "eWeLink" App from [Google Play Store](#) or [Apple App Store](#).



## Power on the device





①



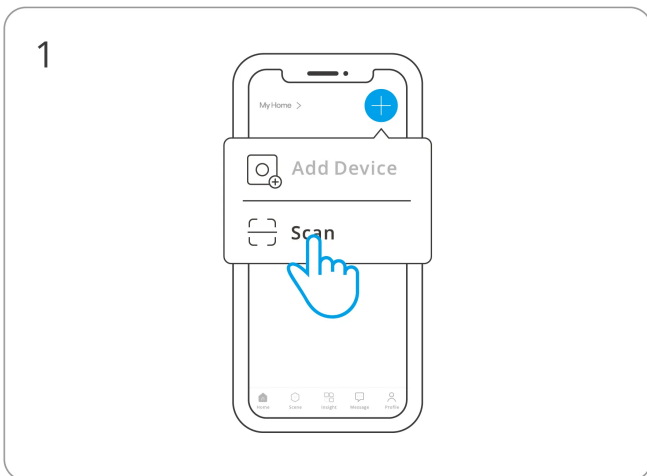
②

① Remove the battery protection cover, then pull out the device battery insulation sheet to power the device.

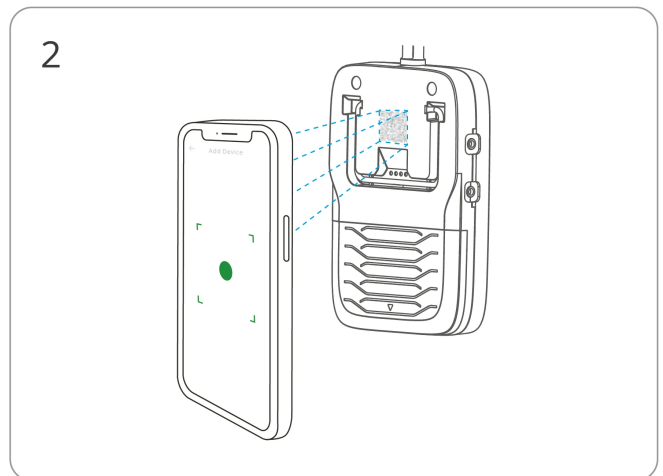
② When the device is used for the first time, it will enter pairing mode by default after being powered on, and the connection icon “” will flash.

\*If pairing is not completed within three minutes, the device will exit pairing mode. To re-enter pairing mode, long touch the function button on the screen for 5 seconds until the connection icon "" starts flashing.

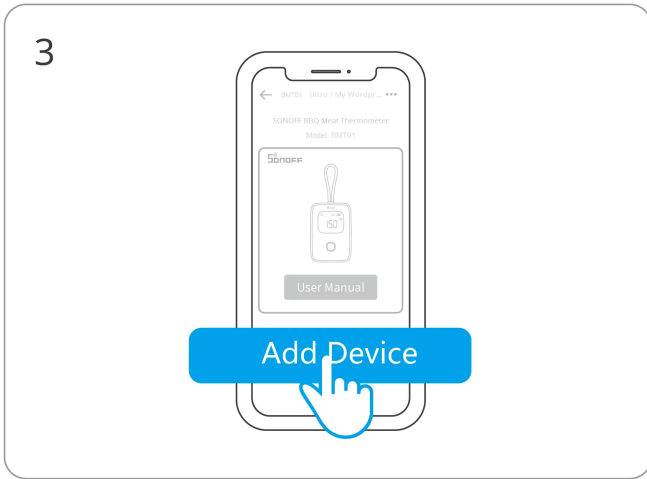
## Scan QR code to add the device



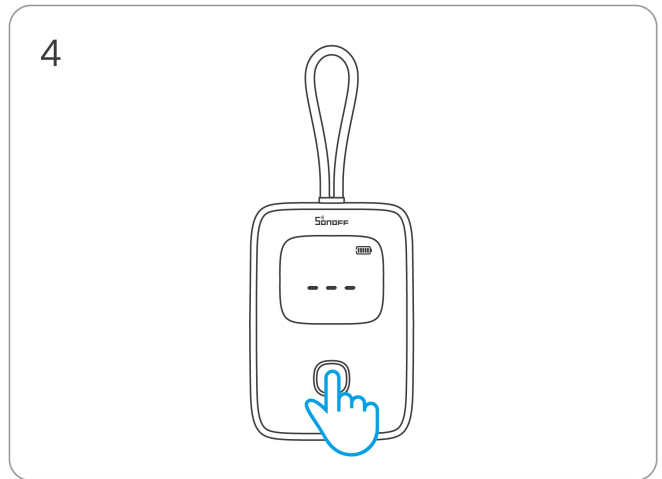
Enter "Scan".



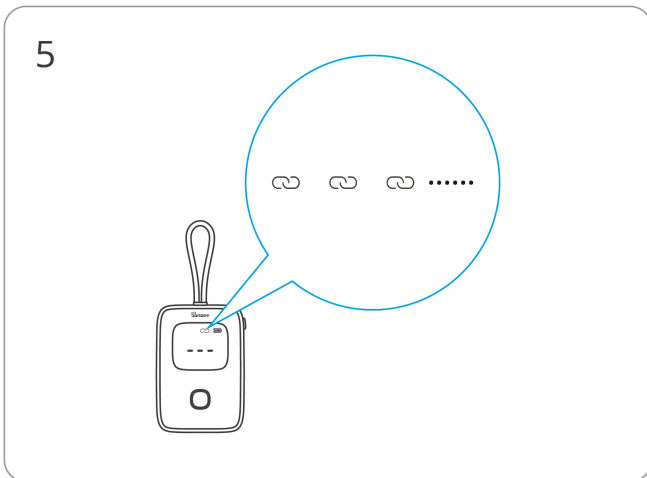
Scan the QR code on the device.



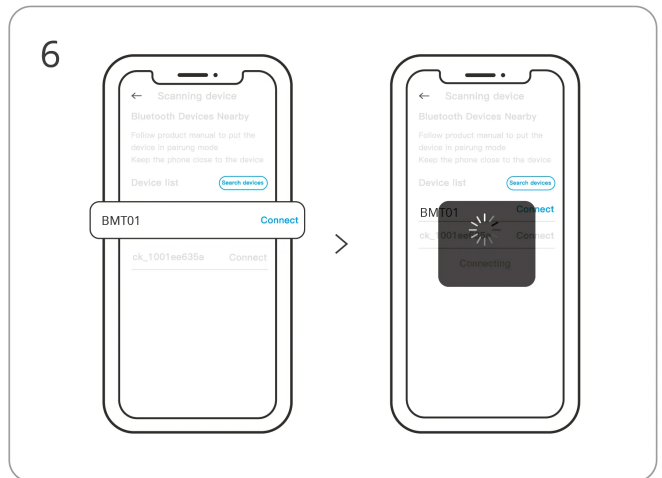
Select "Add Device".



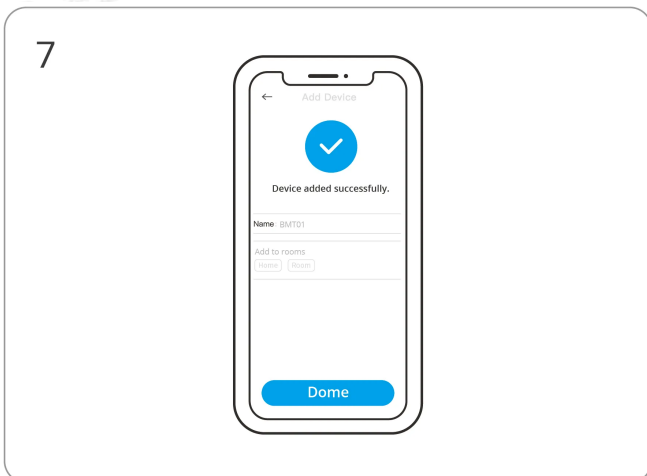
Long touch the function button on the screen for 5 seconds.



Check the status of the connection icon (flashing).

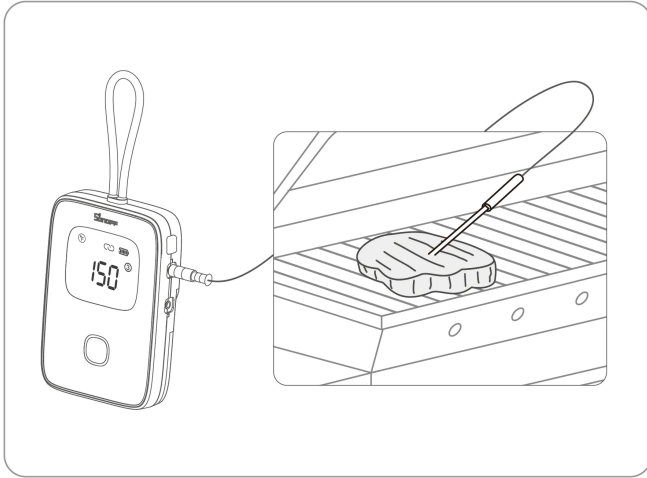


Search for the device and start connecting.

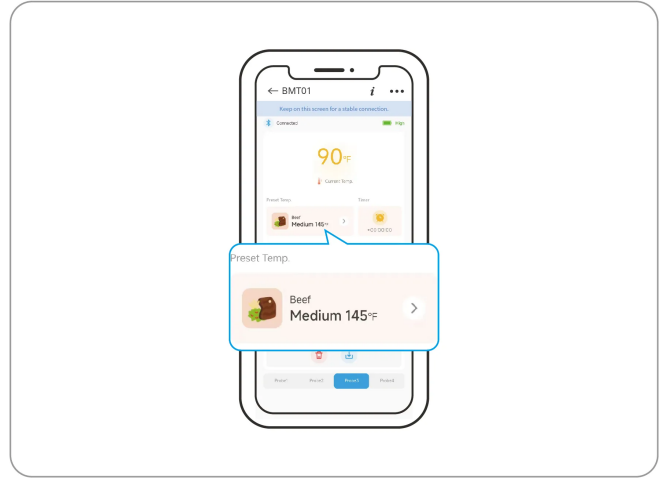


Device added completely.

# Usage Instructions



①

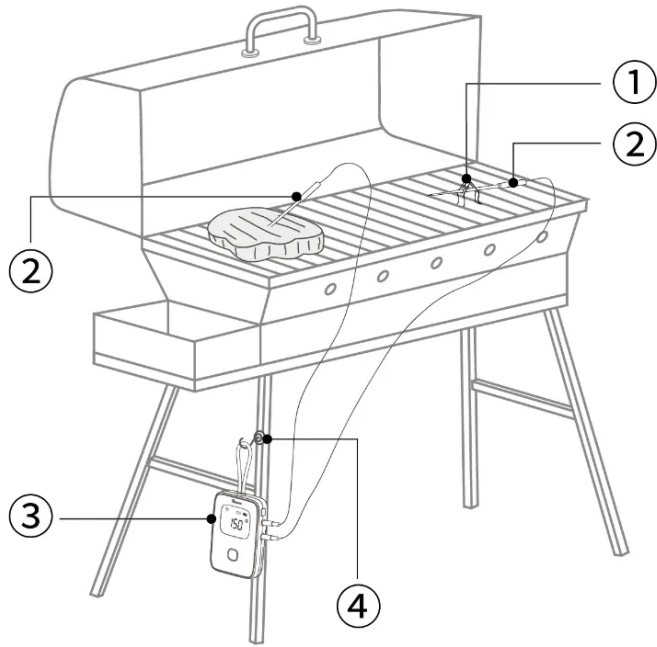


②

- ① Insert the probe connectors into the ports on both sides of the BMT01, then insert the probe into the food you wish to monitor (such as beef, lamb, and so on).
- ② Set the Preset Temp. in the eWeLink App. When the probe temperature rises to the Preset Temp., the device and mobile phone will trigger an alarm reminder.

\*If the device does not detect the probe within 10 minutes, or if the probe's temperature does not exceed 50°C within 24 hours, it will automatically power off. To turn the device on, press and hold the side button for five seconds.

# Usage Demonstration



- ① Probe clip
- ② BBQ meat thermometer probe sensor
- ③ BBQ meat thermometer
- ④ Magnetic hook

\*The magnetic hook should be kept away from high temperatures to prevent demagnetization.

\*After use, place the devices into the storage bag.

## WARNING

- ① This product is equipped with a food-grade probe. Please remove the plastic protective cover from the probe before use. The probe is sharp, so handle with care to avoid injury.
- ② Avoid touching the probe directly with your hands in high-temperature environments to prevent burns.
- ③ Keep the probe away from open flames. Grilling over open flames can easily produce carcinogens like polycyclic aromatic hydrocarbons and nitrosamines. At the same time, the temperature measurement range of the probe is 32~572°F(0~300°C), long-term exposure to open flames may cause malfunction.
- ④ The host is not resistant to high temperatures. Please keep it away from the grill during use.
- ⑤ The magnetic hook provided should be kept away from high temperatures to prevent demagnetization. It is recommended to attach it to the grill legs.
- ⑥ This product is not suitable for children. Please keep it out of reach of children.
- ⑦ This product contains AAA batteries. Please keep new and old batteries out of reach of children.

# ISED Notice

This device contains licence–exempt transmitter(s)/receiver(s) that comply with Innovation, Science and Economic Development Canada’s licence–exempt RSS(s). Operation is subject to the following two conditions:

(1) This device may not cause interference.

(2) This device must accept any interference, including interference that may cause undesired operation of the device.

This Class B digital apparatus complies with Canadian ICES-003(B).

This device complies with RSS-247 of Industry Canada. Operation is subject to the condition that this device does not cause harmful interference.

L’émetteur/récepteur exempt de licence contenu dans le présent appareil est conforme aux CNR d’Innovation, Sciences et Développement économique Canada applicables aux appareils radio exempts de licence. L’exploitation est autorisée aux deux conditions suivantes :

(1) L’appareil ne doit pas produire de brouillage;

(2) L’appareil doit accepter tout brouillage radioélectrique subi, même si le brouillage est susceptible d’en compromettre le fonctionnement.

Cet appareil numérique de la Classe B conforme à la norme NMB-003(B) du Canada.

Cet appareil est conforme à la norme RSS - 247 d'Industrie Canada. Le fonctionnement est soumis à la condition que cet appareil ne provoque pas d'interférences nuisibles.

ISED Radiation Exposure Statement:

This equipment complies with ISED radiation exposure limits set forth for an uncontrolled environment.

This equipment should be installed and operated with minimum distance of 20 cm between the radiator and your body.

This transmitter must not be co–located or operating in conjunction with any other antenna or transmitter.

Cet équipement est conforme aux limites d’exposition aux rayonnements de la ISED établies pour un environnement non contrôlé.

Cet équipement doit être installé et fonctionner à au moins 20cm de distance d’un radiateur ou de votre corps.



Cet émetteur ne doit pas être co-localisé ou fonctionner en conjonction avec une autre antenne ou un autre émetteur.

IC: 29127-BMT01

## FCC compliance statement

1.This device complies with part 15 of the FCC Rules. Operation is subject to the following two conditions:

- (1) This device may not cause harmful interference, and
- (2) This device must accept any interference received, including interference that may cause undesired operation.

2.Changes or modifications not expressly approved by the party responsible for compliance could void the user's authority to operate the equipment.

Note: This equipment has been tested and found to comply with the limits for a Class B digital device, pursuant to part 15 of the FCC Rules. These limits are designed to provide reasonable protection against harmful interference in a residential installation. This equipment generates, uses and can radiate radio frequency energy and, if not installed and used in accordance with the instructions, may cause harmful interference to radio communications. However, there is no guarantee that interference will not occur in a particular installation. If this equipment does cause harmful interference to radio or television reception, which can be determined by turning the equipment off and on, the user is encouraged to try to correct the interference by one or more of the following measures:

- Reorient or relocate the receiving antenna.
- Increase the separation between the equipment and receiver.
- Connect the equipment into an outlet on a circuit different from that to which the receiver is connected.
- Consult the dealer or an experienced radio/TV technician for help.

FCC Radiation Exposure statement:

This equipment complies with FCC radiation exposure limits set forth for an uncontrolled environment.

This equipment should be installed and operated with minimum distance of 20 cm between the radiator and your body.

This transmitter must not be co-located or operating in conjunction with any other antenna or transmitter.

FCC ID: 2APN5BMT01



—Do not ingest battery, Chemical Burn Hazard.

—If the battery compartment does not close securely, stop using the product and keep it away from children. If you think batteries might have been swallowed or placed inside any part of the body, seek immediate medical attention.

—Do not replace a battery with an incorrect type.

—Disposal of a battery into fire or a hot oven, or mechanically crushing or cutting of a battery, that can result in an explosion.

—Leaving a battery in an extremely high temperature surrounding environment that can result in an explosion or the leakage of flammable liquid or gas.

—A battery subjected to extremely low air pressure that may result in an explosion or the leakage of flammable liquid or gas.



This appliance is not intended for use by persons (including children) with reduced physical, sensory or mental capabilities, or lack of experience and knowledge, unless they have been given supervision or instruction concerning use of the appliance by a person responsible for their safety.

Children should be supervised to ensure that they do not play with the appliance.

The appliance is not to be used by persons (including children) with reduced physical, sensory or mental capabilities, or lack of experience and knowledge, unless they have been given supervision or instruction.

Batteries are to be inserted with the correct polarity.

If the appliance is to be stored unused for a long period, the batteries are removed.

The supply terminals are not to be short-circuited.

## Battery Disposal

● This appliance contains AAA batteries, the batteries contain hazardous chemicals, make sure to strictly follow local regulations regarding the disposal and recycling of batteries. DO NOT dispose of the batteries in a regular waste disposal container.

● Dispose of the batteries in a suitable recycling container only after fully discharging it.

● The batteries that are swollen, involved in a crash, come into contact with liquid, damaged, or leaky must be disposed of properly. DO NOT use any batteries in such a condition in order to avoid damage or injury. Contact a professional battery disposal or recycling agent for further assistance.

DO NOT use metal short-circuited batteries, otherwise, the batteries may leak, catch fire, or explode.

This appliance contains non-rechargeable batteries, these batteries are not to be recharged.

## Warning

Under normal use of condition, this equipment should be kept a separation distance of at least 20 cm between the antenna and the body of the user.

Dans des conditions normales d'utilisation, cet équipement doit être maintenu à une distance d'au moins 20 cm entre l'antenne et le corps de l'utilisateur.

## EU Declaration of Conformity

Hereby, Shenzhen Sonoff Technologies Co., Ltd. declares that the radio equipment type BMT01 is in compliance with Directive 2014/53/EU. The full text of the EU declaration of conformity is available at the following internet address: <https://sonoff.tech/compliance/>

## For CE frequency

**EU Operating Frequency Range:**

BLE: 2402–2480MHz

**EU Output Power:**

BLE≤10dBm

Scatola	Manuale	Neto	Borsa
PAP 21	PAP 22	EVA 7	CPE 7
Carta	Carta	Plastica	Plastica

RACCOLTA DIFFERENZIATA

Verifica le disposizioni del tuo Comune.

Separa le componenti e conferiscile in modo corretto.

## WEEE Disposal and Recycling Information



All products bearing this symbol are waste electrical and electronic equipment (WEEE as in directive 2012/19/EU) which should not be mixed with unsorted household waste. Instead, you should protect human health and the environment by handing over your waste equipment to a designated collection point for the recycling of waste electrical and electronic equipment, appointed by the government or local authorities. Correct disposal and recycling will help prevent potential negative consequences to the environment and human health. Please contact the installer or local authorities for more information about the location as well as terms and conditions of such collection points.

# SONOFF

**Manufacturer: Shenzhen Sonoff Technologies Co., Ltd.**

Address: 3F & 6F, Bldg A, No. 663, Bulong Rd, Shenzhen, Guangdong, China

ZIP code: 518000

Service email: support@itead.cc

Website: sonoff.tech

Made in China



FR

**Cet appareil,  
ses accessoires  
et piles se  
recyclent**

À DÉPOSER  
EN MAGASIN



OU

À DÉPOSER  
EN DÉCHÈTERIE



Points de collecte sur [www.quefairedemesdechets.fr](http://www.quefairedemesdechets.fr)  
Privilégiez la réparation ou le don de votre appareil !

