

User Manual SNZB-02WD (EN)



Zigbee LCD Smart
Thermometer

User Manual V1.0

Introduction

SNZB-02WD is a waterproof Zigbee smart temperature and humidity sensor. It detects the surrounding temperature and humidity, displaying real-time data on the LCD high-definition screen. When paired with a Zigbee gateway, users can monitor temperature and humidity changes via the app or set up smart scenes with other devices to achieve home automation.



IP65 Protection Rating



UV-Resistant Casing



Data Store & Export



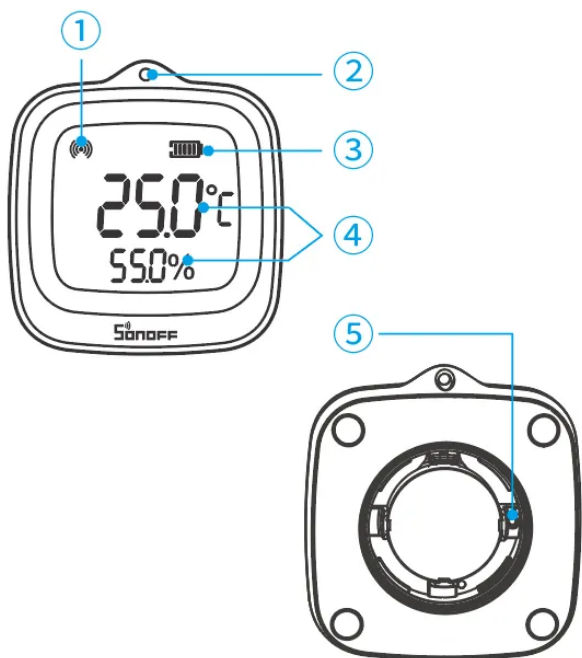
App Monitoring



Reading Switch



Push Notification



① Signal icon

- Flashes slowly: Device is in pairing mode. (Pairing time 180s)
- Keeps on: Pairing successful
- Keeps off: Pairing failed

② Lanyard hole

③ Battery

④ Current temperature/humidity

⑤ Button (Visible after removing the device's battery cover)

- Press and hold for 5 seconds: The device enters pairing mode and restores factory settings.
- Double-press: Switch temperature unit °C/°F (Factory default is °C)

Specification

Model	SNZB-02WD
MCU	TLSR8656F512ET32
Input	3V
Battery model	CR2477
Wireless connection	Zigbee 3.0 (IEEE802.15.4)

LCD dimension	2.2"
Net weight	65.6g
Color	White
Product dimension	62.8x58.5x21.8mm
Casing material	PC+ABS
IP rating	IP65
Working temperature	-20°C~60°C/-4°F~140°F
Working humidity	0~100%RH
Temperature tolerance	±0.2°C/±0.36°F
Humidity tolerance	±2%RH
Working height	Less than 2000m
Certification	CE/FCC/ISED/RoHS
IC	29127-SNZB02L
FCC ID	2APN5SNZB02L

ⓘ It is suitable for safe use only when the altitude is below 2000m. Security risks may arise when the altitude is above 2000m.

IP65 Protection Rating Description:

ⓘ This product's protection rating is suitable for standard splash-proof scenarios. Avoid submerging the main unit or exposing it to high-pressure water jets.

The IP65 waterproof conditions are as follows:

- ① Using a standard 6.3mm inner diameter test nozzle with a flow rate of 12.5 liters per minute, water is sprayed onto the casing from all feasible directions.
- ② Actual water jet size: Approximately 40mm in diameter at a distance of 2.5 meters from the nozzle.
- ③ Each square meter of the casing's surface area may be sprayed for 1 minute, with a minimum test duration of 3 minutes.

In an environment close to extremely low temperatures (e.g., $-20^{\circ}\text{C}/-4^{\circ}\text{F}$), the device may experience the following issues:

- ① Increased temperature measurement deviation up to $\pm 0.7^{\circ}\text{C}/\pm 1.3^{\circ}\text{F}$.
- ② Significant reduction in battery capacity.
- ③ Screen refresh may show ghosting effects.

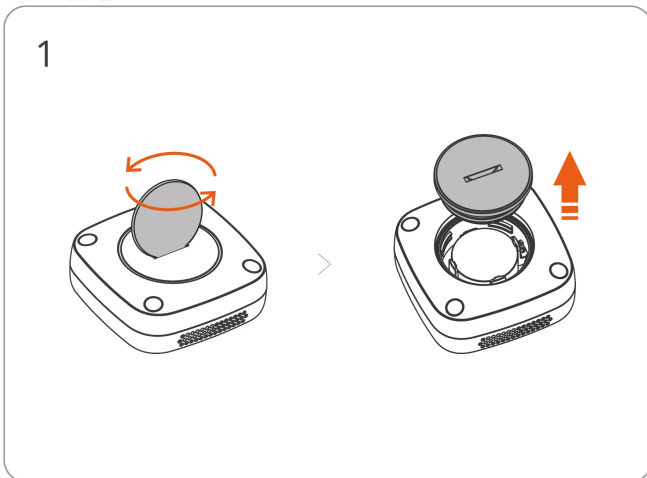
When the ambient temperature rises, the above phenomena will improve, but please note that due to the characteristics of the battery, the battery capacity may not be fully restored.

Download the eWeLink App & Add SONOFF Zigbee Gateway

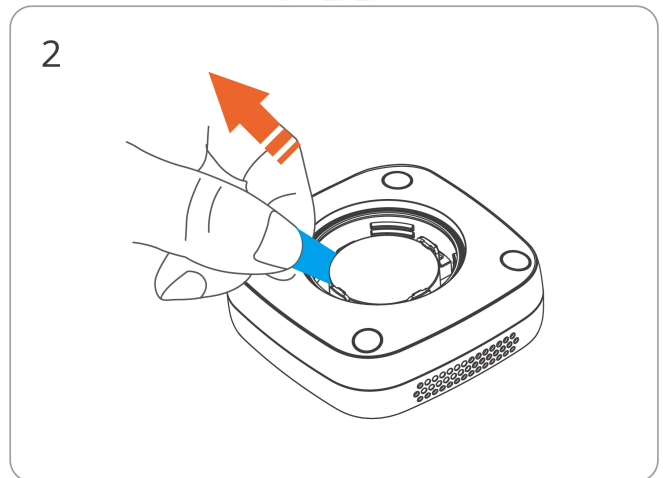
Please download the "eWeLink" App from Google Play Store or Apple App Store.



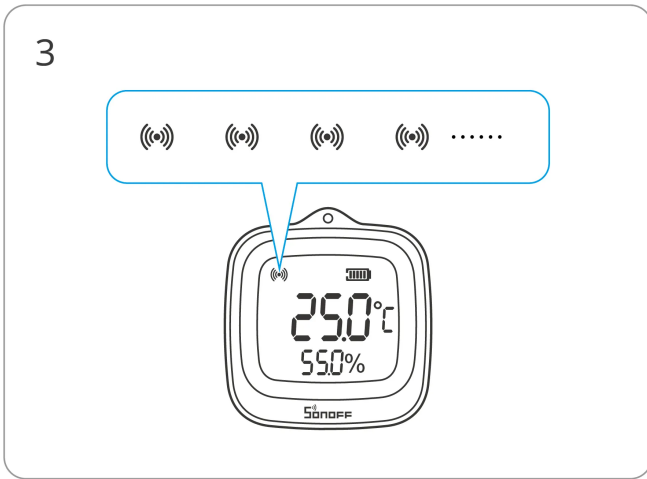
Power On the Device



Use a coin to twist and remove the battery cover.



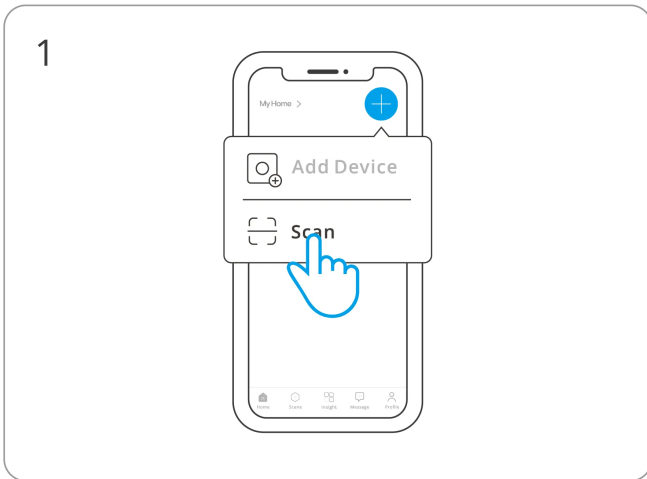
Take out the battery insulation sheet to power on the device.



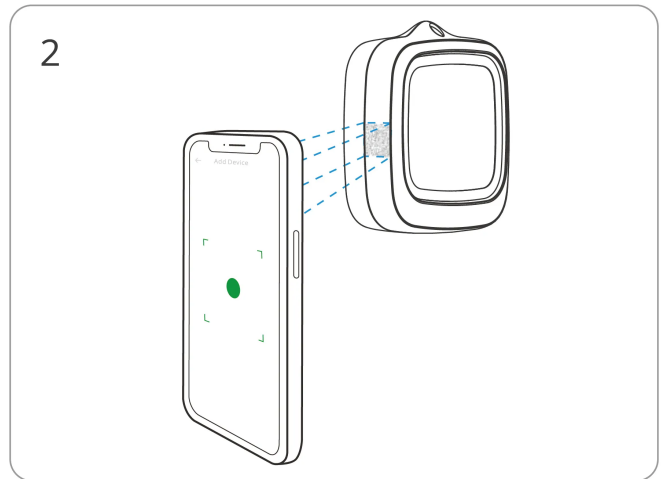
When the device is used for the first time, it will enter pairing mode by default after being powered on, and the signal icon (()) is in a "slow flashing state".

⚠ If the device is not paired within 3 minutes, it will exit pairing mode. To re-enter pairing mode, use a card pin to press and hold the device button for 5 seconds until the signal icon (()) is in a "slow flashing state".

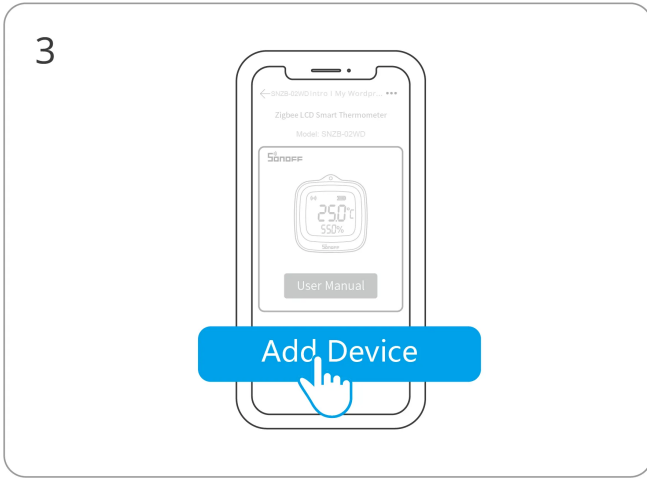
Scan QR Code to Add Device



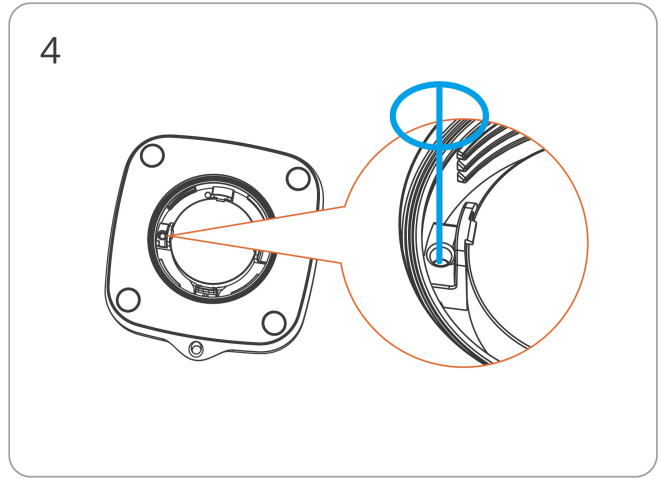
Enter "Scan"



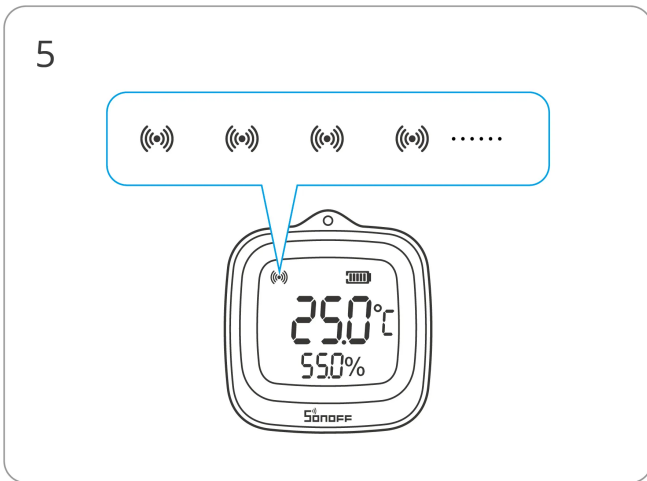
Scan the QR code on the device



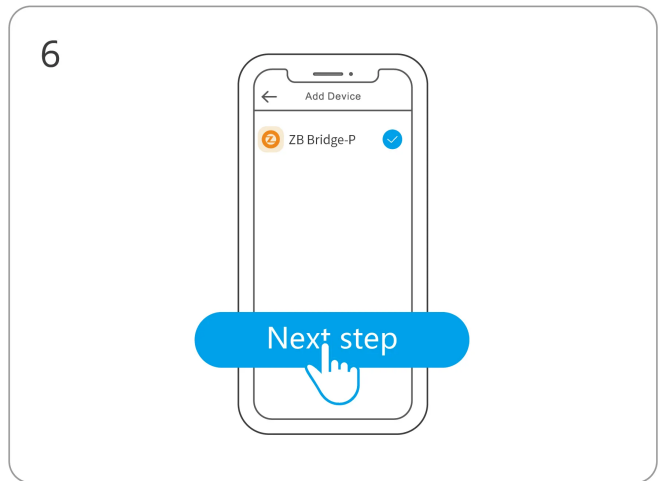
Select "Add Device"



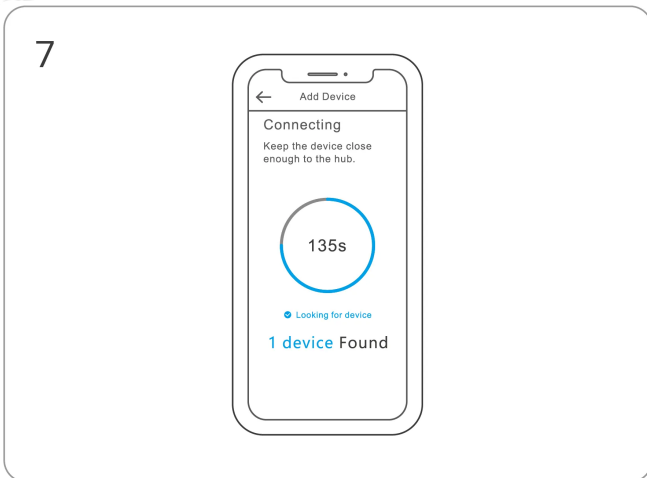
Long press the pairing button for 5 seconds



The Signal icon flashes slowly for 180s



Select Zigbee gateway



Wait until the addition is done

Matched Gateways

SONOFF ZBBridge, ZBBridge-P, ZBBridge-U, NSPanel PRO, iHost, ZBDongle-P, ZBDongle-E

Third-party compatible gateway models:

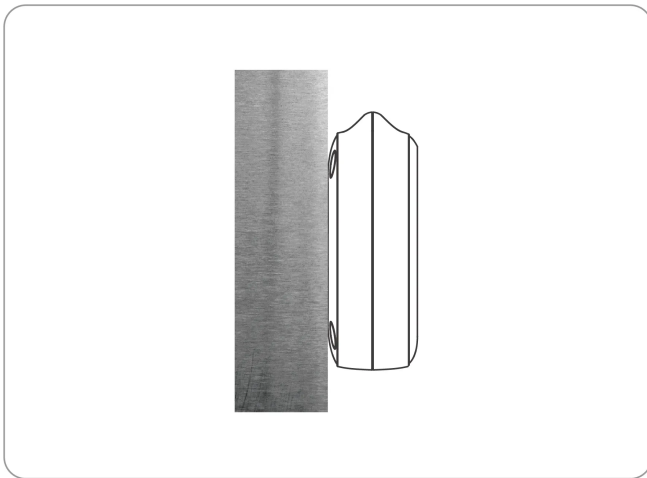
Amazon Gateway Model: Echo Plus 2nd, Echo 4th Gen, Echo Show 2nd (In the Amazon gateway, only temperature queries are supported; humidity queries are not available.)

Other gateways supporting ZigBee3.0 wireless protocol. Detailed information is in accordance with the final product.

Effective Communication Distance Verification

Place the device in your desired place and press the device's pairing button, then the signal icon (📶) on the screen keeps on, which means the device and the device (router device or gateway) under the same Zigbee network are in the effective communication distance.

Usage



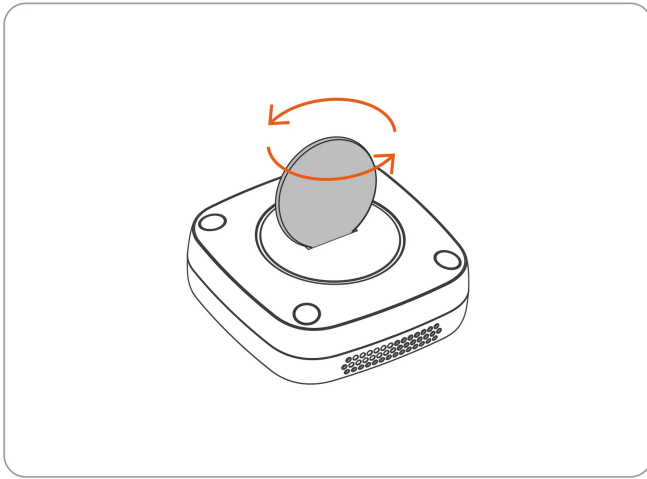
Magnetic suction to the metal surface.



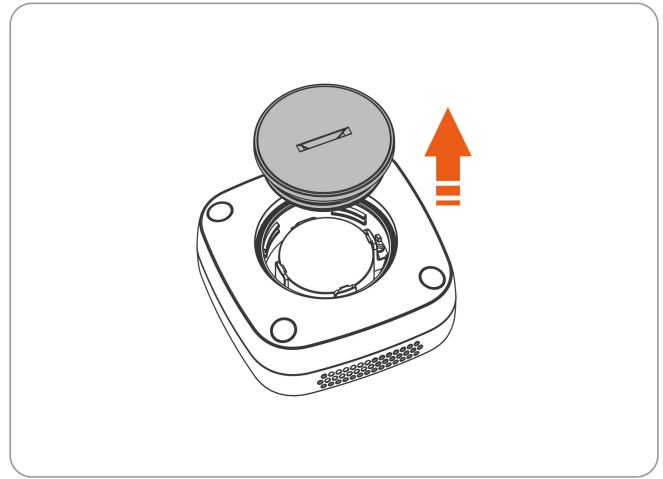
Thread the lanyard through the device hole and hang the device.

⚠ The equipment is only suitable for mounting at heights ≤ 2 m.

Replace the Battery



Use a coin to twist and remove the battery cover.



Remove the battery cover before replacing the battery.

Factory Reset

In the eWeLink App, select "Delete Device," or use a card pin to press and hold the device button for 5 seconds to restore factory settings.

FCC compliance statement

1. This device complies with part 15 of the FCC Rules. Operation is subject to the following two conditions:

- (1) This device may not cause harmful interference, and
- (2) This device must accept any interference received, including interference that may cause undesired operation.

2. Changes or modifications not expressly approved by the party responsible for compliance could void the user's authority to operate the equipment.

Note: This equipment has been tested and found to comply with the limits for a Class B digital device, pursuant to part 15 of the FCC Rules. These limits are designed to provide reasonable protection against harmful interference in a residential installation. This equipment generates, uses and can radiate radio frequency energy and, if not installed and used in accordance with the instructions, may cause harmful interference to radio communications. However, there is no guarantee that interference will not occur in a particular installation. If this equipment does cause

harmful interference to radio or television reception, which can be determined by turning the equipment off and on, the user is encouraged to try to correct the interference by one or more of the following measures:

- Reorient or relocate the receiving antenna.
- Increase the separation between the equipment and receiver.
- Connect the equipment into an outlet on a circuit different from that to which the receiver is connected.
- Consult the dealer or an experienced radio/TV technician for help.

FCC Radiation Exposure statement:

This equipment complies with FCC radiation exposure limits set forth for an uncontrolled environment.

This equipment should be installed and operated with minimum distance of 20 cm between the radiator and your body.

This transmitter must not be co-located or operating in conjunction with any other antenna or transmitter.

ISED Notice

This device contains licence-exempt transmitter(s)/receiver(s) that comply with Innovation, Science and Economic Development Canada's licence-exempt RSS(s). Operation is subject to the following two conditions:

- (1) This device may not cause interference.
- (2) This device must accept any interference, including interference that may cause undesired operation of the device.

This Class B digital apparatus complies with Canadian ICES-003(B).

This device complies with RSS-247 of Industry Canada. Operation is subject to the condition that this device does not cause harmful interference.

L'émetteur/récepteur exempt de licence contenu dans le présent appareil est conforme aux CNR d'Innovation, Sciences et Développement économique Canada applicables aux appareils radio exempts de licence. L'exploitation est autorisée aux deux conditions suivantes :

- (1) L'appareil ne doit pas produire de brouillage;

(2) L'appareil doit accepter tout brouillage radioélectrique subi, même si le brouillage est susceptible d'en compromettre le fonctionnement.

Cet appareil numérique de la Classe B conforme à la norme NMB-003(B) du Canada.

Cet appareil est conforme à la norme RSS - 247 d'Industrie Canada. Le fonctionnement est soumis à la condition que cet appareil ne provoque pas d'interférences nuisibles.

ISED Radiation Exposure Statement:

This equipment complies with ISED radiation exposure limits set forth for an uncontrolled environment.

This equipment should be installed and operated with minimum distance of 20 cm between the radiator and your body.

This transmitter must not be co-located or operating in conjunction with any other antenna or transmitter.

Cet équipement est conforme aux limites d'exposition aux rayonnements de la ISED établies pour un environnement non contrôlé.

Cet équipement doit être installé et fonctionner à au moins 20cm de distance d'un radiateur ou de votre corps.

Cet émetteur ne doit pas être co-localisé ou fonctionner en conjonction avec une autre antenne ou un autre émetteur.



—Do not ingest battery, Chemical Burn Hazard.

—This product contains a coin/button cell battery.

—If the coin/button cell battery is swallowed, it can cause severe internal burns in just 2 hours and can lead to death.

—Keep new and used batteries away from children.

—If the battery compartment does not close securely, stop using the product and keep it away from children.

—If you think batteries might have been swallowed or placed inside any part of the body, seek immediate medical attention.


—Replacement of a battery with an incorrect type that can defeat a safeguard (for example, in the case of some lithium battery types).


—Disposal of a battery into fire or a hot oven, or mechanically crushing or cutting of a battery, that can result in an explosion.

—Leaving a battery in an extremely high temperature surrounding environment that can result in an explosion or the leakage of flammable liquid or gas.

—A battery subjected to extremely low air pressure that may result in an explosion or the leakage of flammable liquid or gas.

UL 4200A Compliance Statement

⚠ WARNING	
<ul style="list-style-type: none">• INGESTION HAZARD: This product contains a button cell or coin battery.• DEATH or serious injury can occur if ingested.• A swallowed button cell or coin battery can cause Internal Chemical Burns in as little as 2 hours.• KEEP new and used batteries OUT OF REACH of CHILDREN.• Seek immediate medical attention if a battery is suspected to be swallowed or inserted inside any part of the body.	

	Warning: contains coin battery, The icon must be at least 7 mm in width and 9 mm in height and must be on the product display panel.
---	--

- Remove and immediately recycle or dispose of used batteries according to local regulations and keep away from children. Do NOT dispose of batteries in household trash or incinerate.

- Even used batteries may cause severe injury or death.

- Call a local poison control center for treatment information.

- Compatible battery type: CR2477

- Nominal battery voltage: 3V 

- Non-rechargeable batteries are not to be recharged.

- Do not force discharge, recharge, disassemble, heat above 60°C or incinerate. Doing so may result in injury due to venting, leakage or explosion resulting in chemical burns.

- Ensure the batteries are installed correctly according to polarity(+ and -)•

- Do not mix old and new batteries, different brands or types of batteries, such as alkaline, carbon–zinc, or rechargeable batteries.
- Remove and immediately recycle or dispose of batteries from equipment not used for an extended period of time according to local regulations.
- Always completely secure the battery compartment. If the battery compartment does not close securely, stop using the product, remove the batteries, and keep them away from children.

Warning

Under normal use of condition, this equipment should be kept a separation distance of at least 20 cm between the antenna and the body of the user.

Dans des conditions normales d'utilisation, cet équipement doit être maintenu à une distance d'au moins 20 cm entre l'antenne et le corps de l'utilisateur.

EU Declaration of Conformity

Hereby, Shenzhen Sonoff Technologies Co., Ltd. declares that the radio equipment type SNZB–02WD is in compliance with Directive 2014/53/EU. The full text of the EU declaration of conformity is available at the following internet address: <https://sonoff.tech/compliance/>

For CE frequency

EU Operating Frequency Range:

Zigbee : 2405–2480 MHz

EU Output Power:

Zigbee ≤ 20dBm

WEEE Disposal and Recycling Information



WEEE Disposal and Recycling Information All products bearing this symbol are waste electrical and electronic equipment (WEEE as in directive 2012/19/EU) which should not be mixed with unsorted household waste. Instead, you should protect human health and the environment by handing over your waste equipment to a designated collection point for the recycling of waste electrical and electronic equipment, appointed by the government or local authorities. Correct disposal and recycling will help prevent potential negative consequences to the environment and human health. Please contact the installer or local authorities for more information about the location as well as terms and conditions of such collection points.

Scatola	Manuale	Borsa	Borsa
PAP 21	PAP 22	CPE 7	LDPE 4
Carta	Carta	Plastica	Plastica

RACCOLTA DIFFERENZIATA

Verifica le disposizioni del tuo Comune.

Separa le componenti e conferiscile in modo corretto.

SONOFF

Manufacturer: Shenzhen Sonoff Technologies Co., Ltd.

Address: 3F & 6F, Bldg A, No. 663, Bulong Rd, Shenzhen, Guangdong, China

ZIP code: 518000

Service email: support@itead.cc

Website: sonoff.tech

Made in China



FR

Cet appareil,
ses accessoires
et piles se
recyclent

À DÉPOSER
EN MAGASIN



OU

À DÉPOSER
EN DÉCHÈTERIE



Points de collecte sur www.quefairedemesdechets.fr
Privilégiez la réparation ou le don de votre appareil !



CE FC

